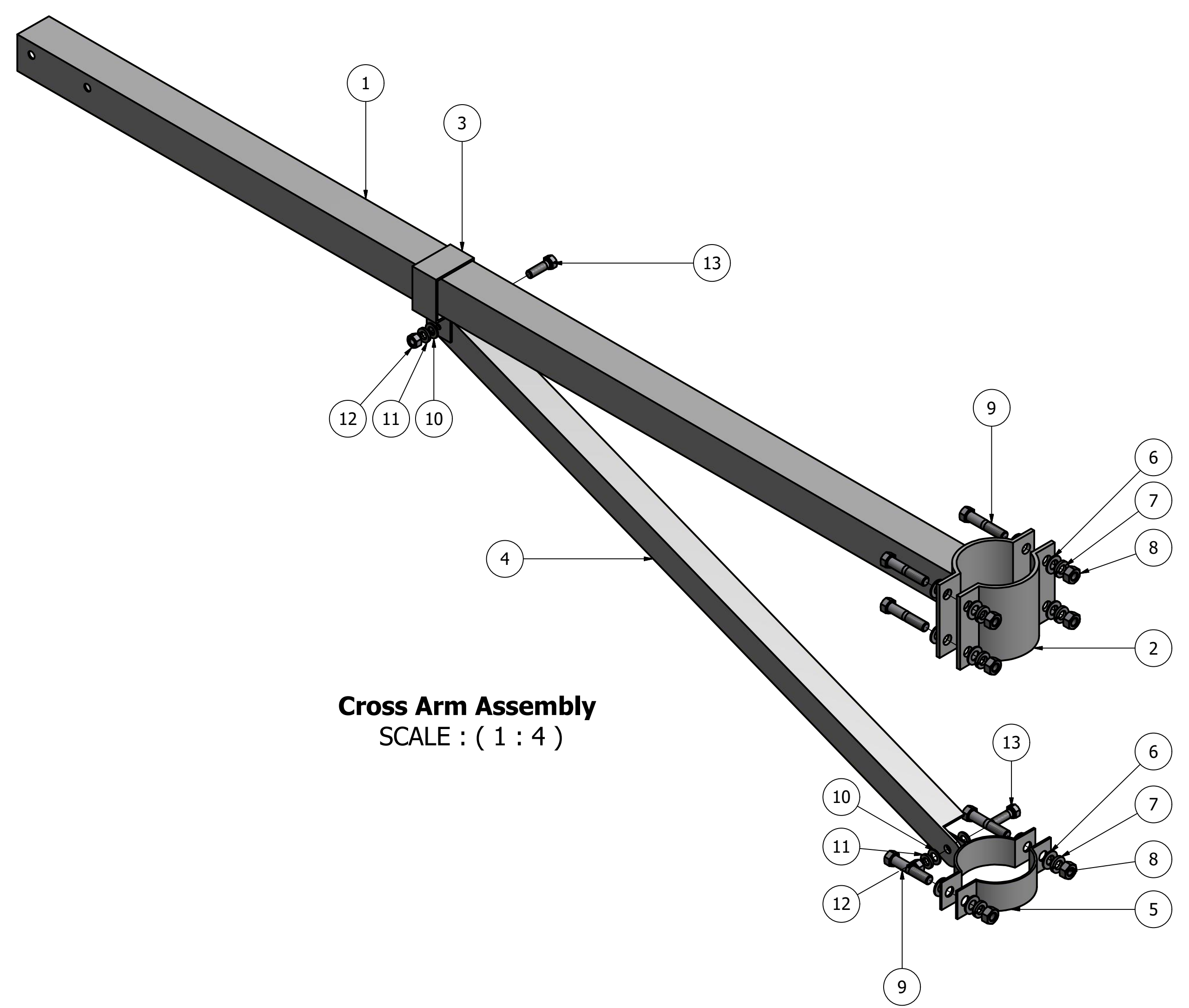
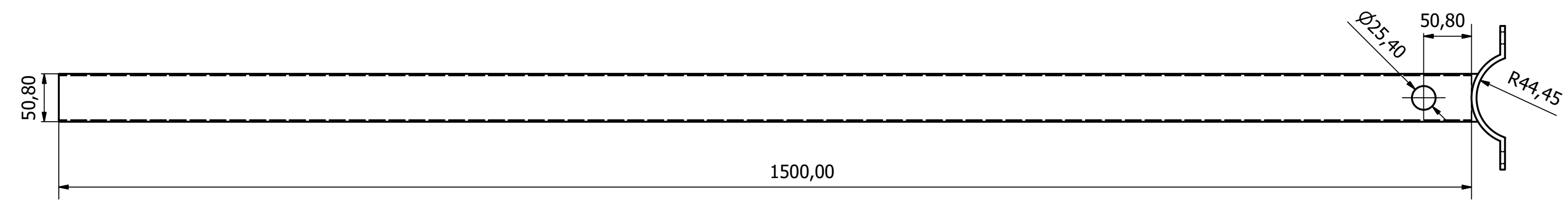
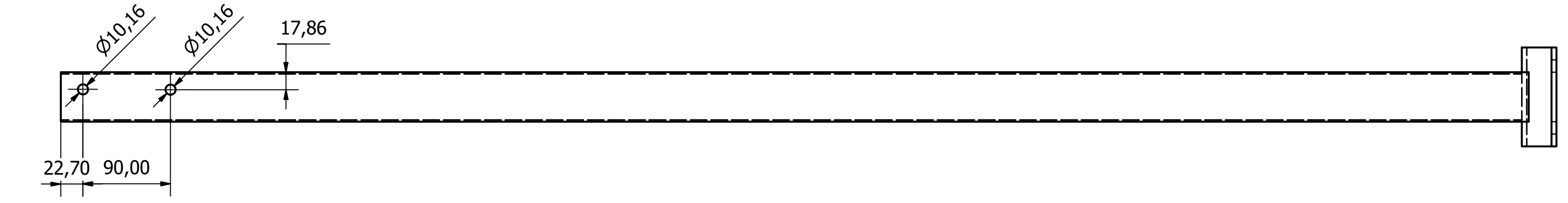
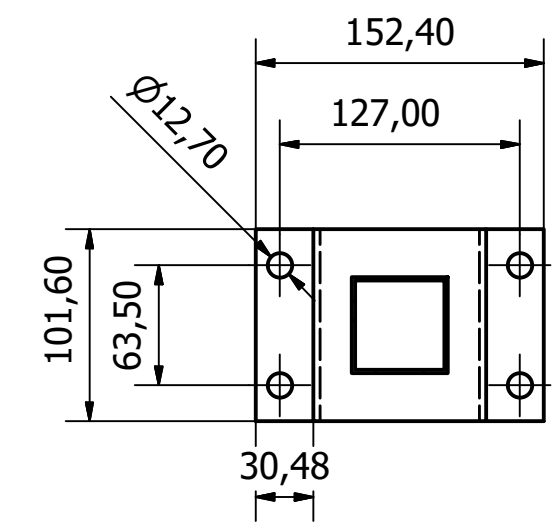
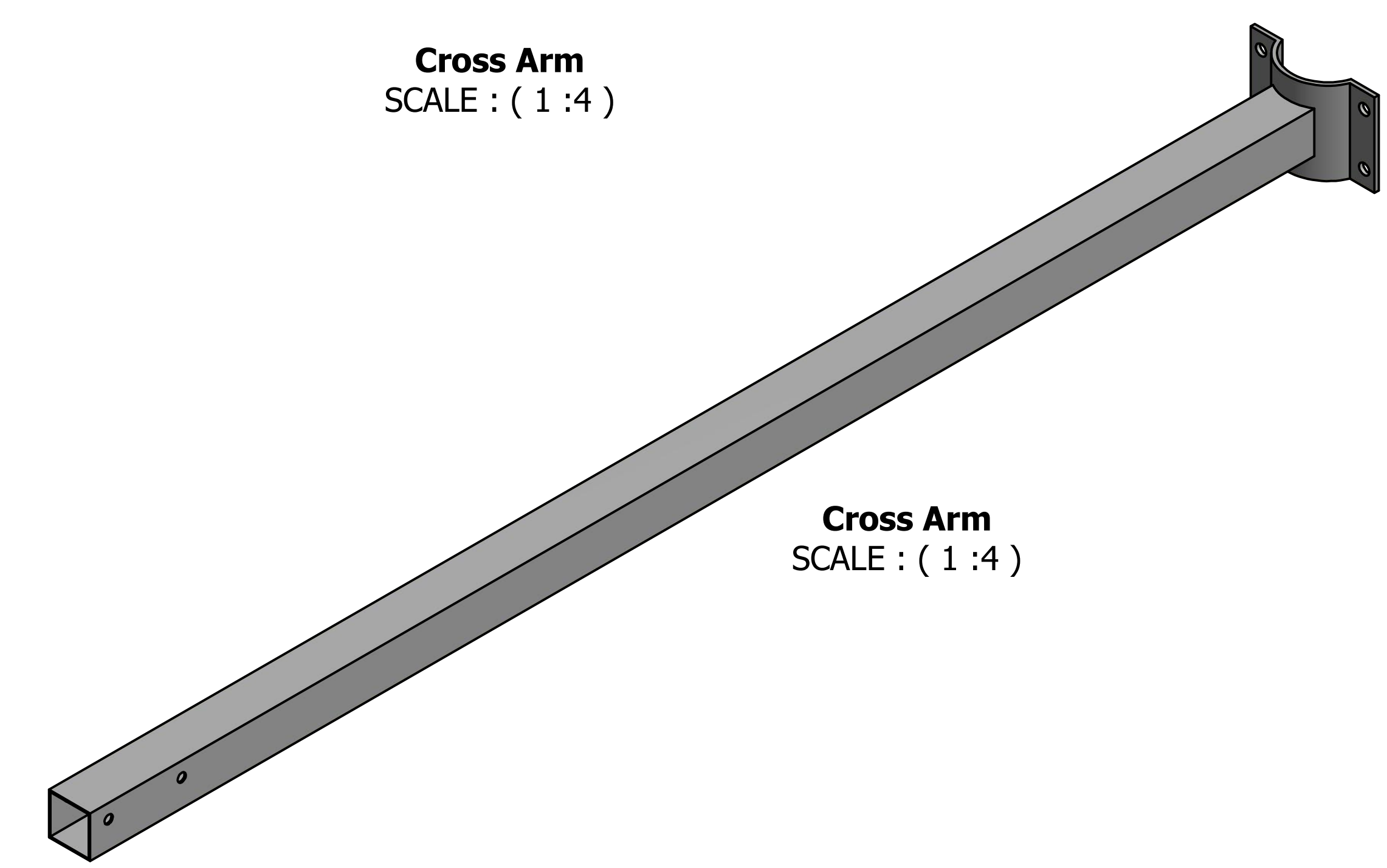


PARTS LIST			
ITEM	PART NUMBER	DESCRIPTION	QTY
1	Cross Arm	Square Tube, Hot Dipped Galvanized, Painted	1
2	Cross Arm Clamp	Hot Dipped Galvanized, Painted	1
3	Square Clamp	Hot Dipped Galvanized, Painted	1
4	Brace	Hot Dipped Galvanized, Painted	1
5	Brace Clamp Mate	Hot Dipped Galvanized, Painted	1
6	ANSI B18.22.1 - 7/16 - narrow - Type B	Plain Washer (Inch )Type A and B	12
7	ASME B18.21.1 - 7/16	Heavy Helical Spring Lock Washers(Inch Series)	6
8	ANSI B18.2.2 - 7/16 - 14	Hex Nuts (Inch Series) Hex Nut	6
9	ANSI/ASME B18.2.1 - 7/16-14 UNC - 2.25	Hex Bolt - UNC (Regular Thread - Inch)	6
10	ANSI B18.22.1 - 3/8 - narrow - Type B	Plain Washer (Inch )Type A and B	4
11	ASME B18.21.1 - 3/8	Heavy Helical Spring Lock Washers(Inch Series)	2
12	ANSI B18.2.2 - 3/8 - 16	Hex Nuts (Inch Series) Hex Nut	2
13	ANSI/ASME B18.2.1 - 3/8-16 UNC - 1.25	Hex Bolt - UNC (Regular Thread - Inch)	2




**Cross Arm Assembly**  
SCALE : ( 1 : 4 )

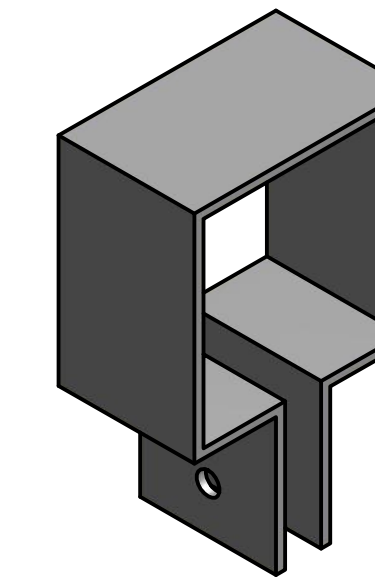
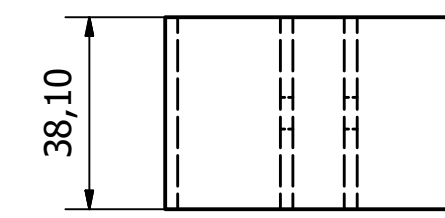
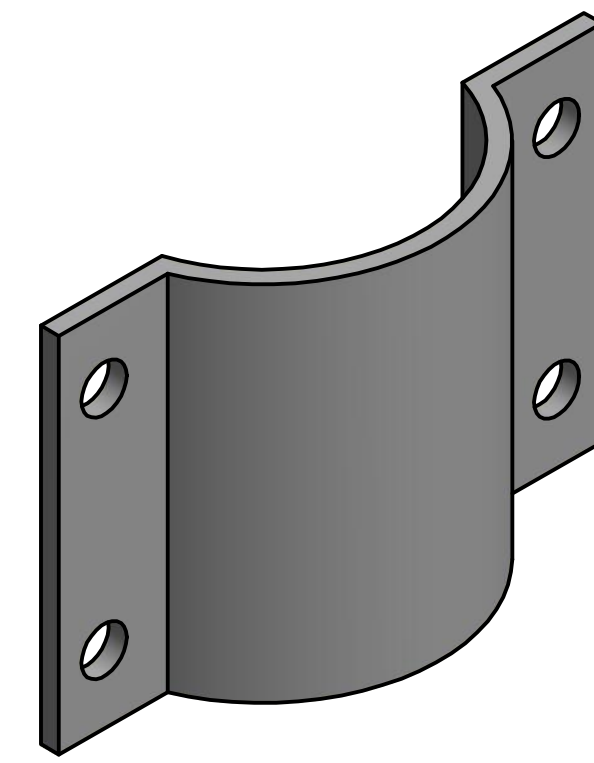
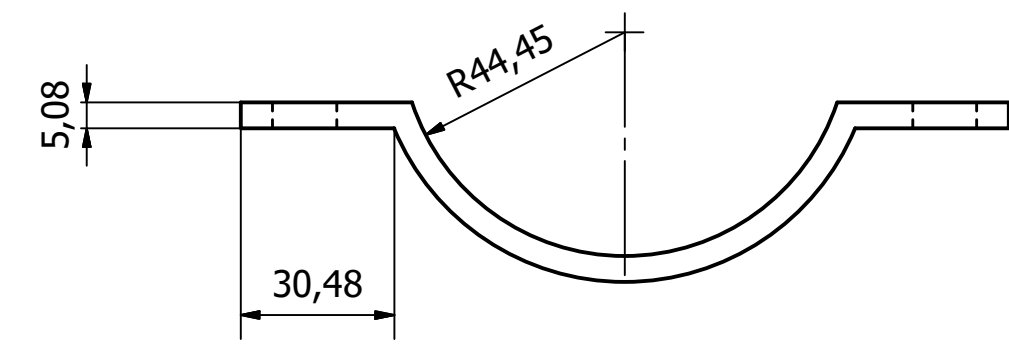
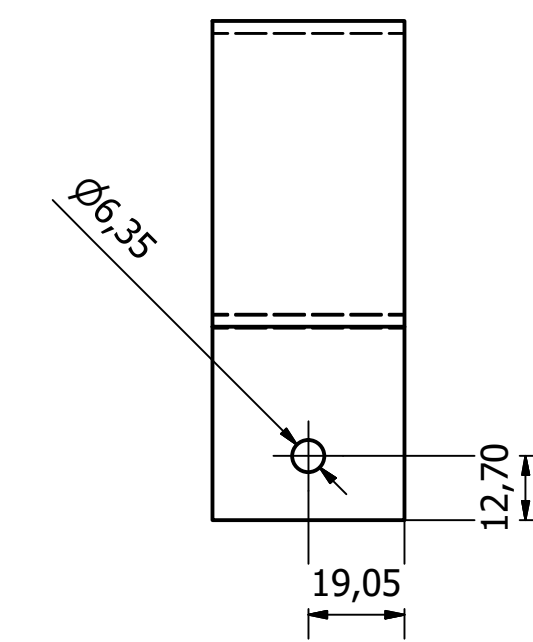
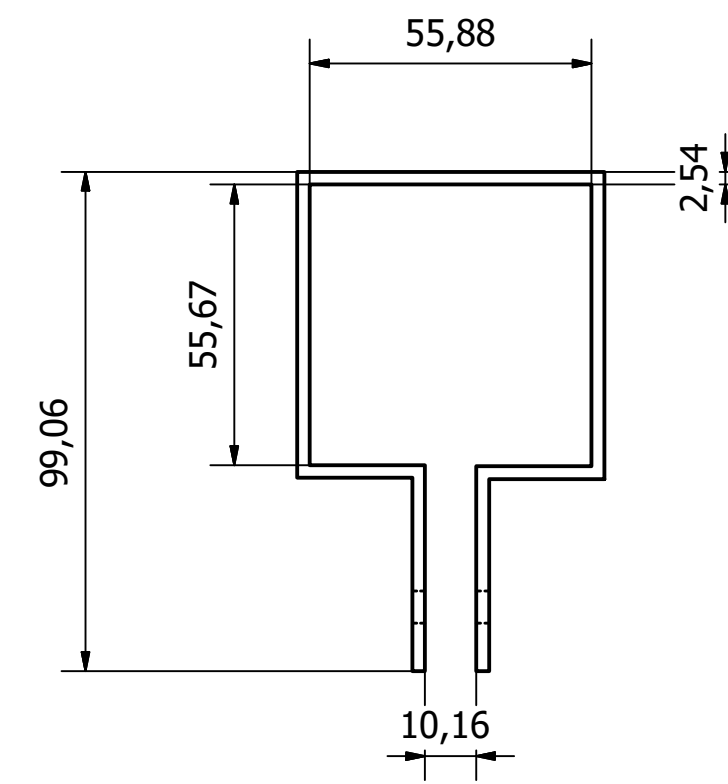
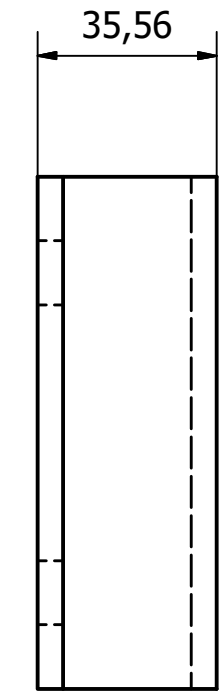
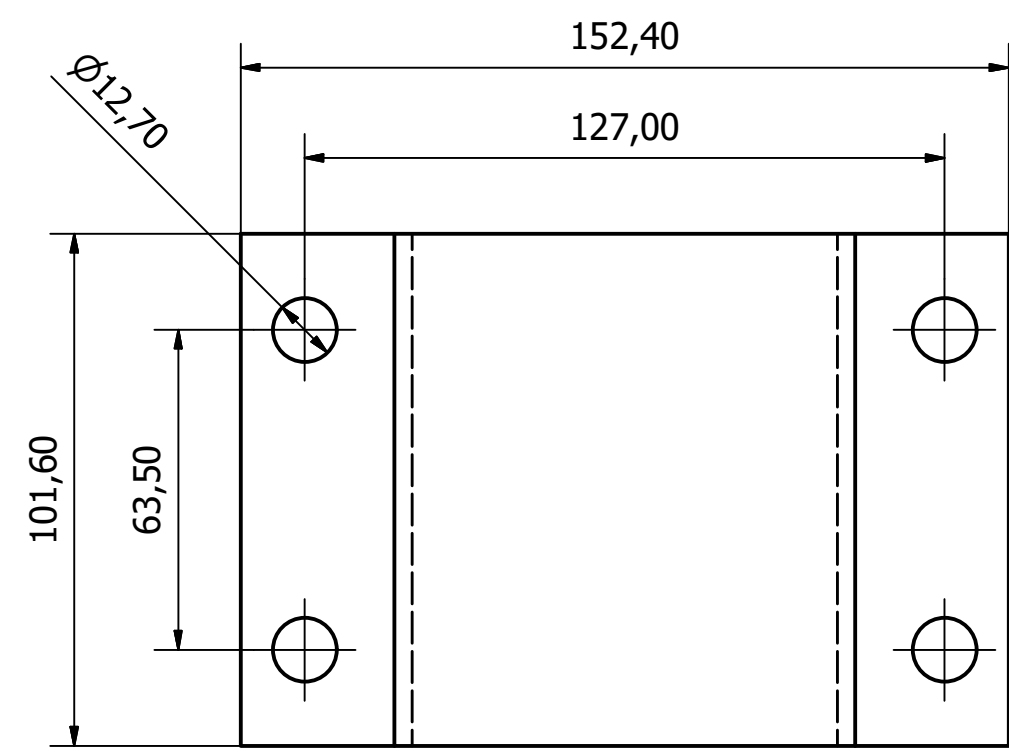


**Cross Arm**  
SCALE : ( 1 : 4 )

**Cross Arm**  
SCALE : ( 1 : 4 )

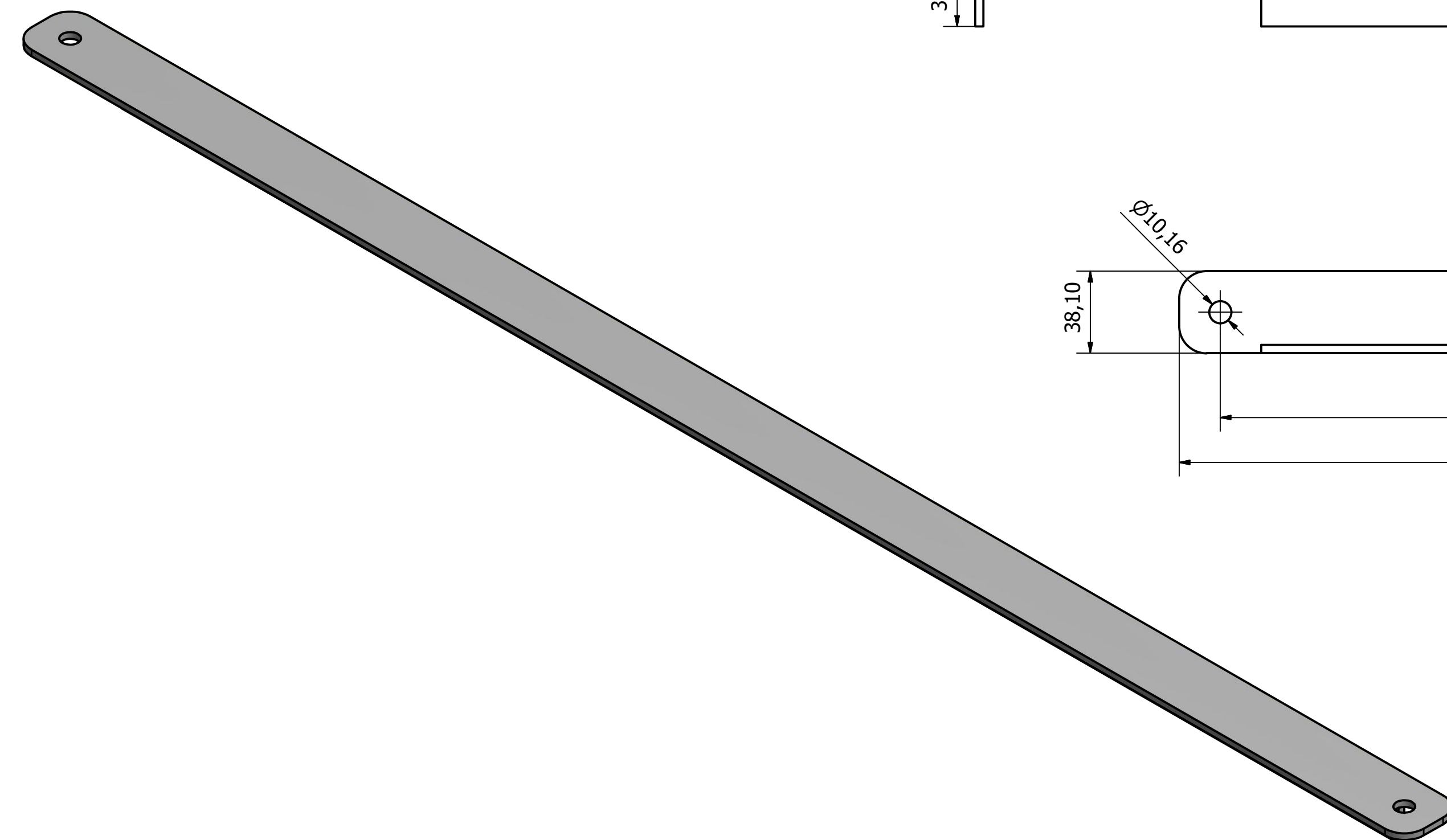
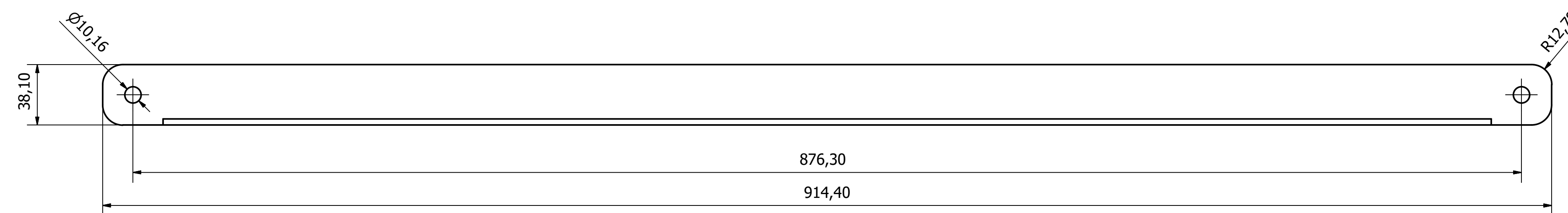
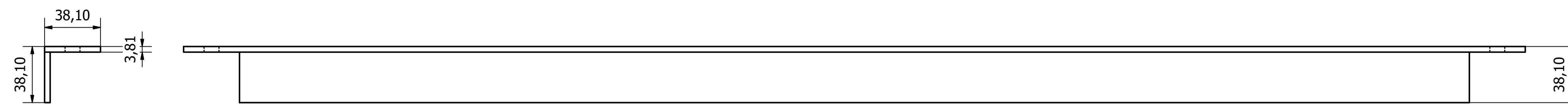
**Note:** All Dimensions are in mm. unless specified.

<p>THE DESIGNS AND OTHER INFORMATION CONTAINED IN THIS DRAWING ARE PROPERTY OF <b>DOST-ASTI</b> EXCEPT FOR RIGHTS EXPRESSLY GRANTED BY CONTRACT. THE DRAWING MAY NOT BE, IN WHOLE OR IN PART, BE DUPLICATED OR USED WITHOUT A WRITTEN PERMISSION FROM <b>DOST-ASTI</b>.</p>	Drawn	Ian C. Mosquera	 Department of Science and Technology <b>Advanced Science and Technology Institute</b>	Drawing Title:	
	Checked	Gerwin Guba			
	Approved	ASTI	Date	15 Nov 2012	Sub Component:
	Created	24 Oct 2017	Modified	10:41 AM 10 24 2017	Sheet 1 / 3
Philippine Copyright 2015 by <b>Advanced Science and Technology Institute</b>	Project:		ENGR DRW - Fabrication - Cross arm 10242017	Rev	
				PR Reference No	



**Cross Arm Clamp**  
SCALE : ( 1 :1.5 )

**Square Clamp**  
SCALE : ( 1 :1.5 )





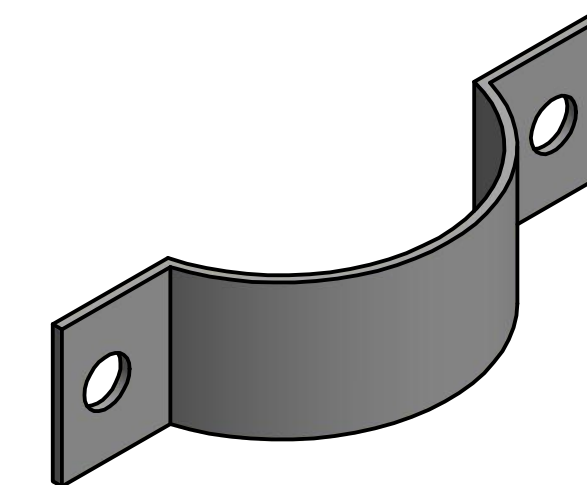
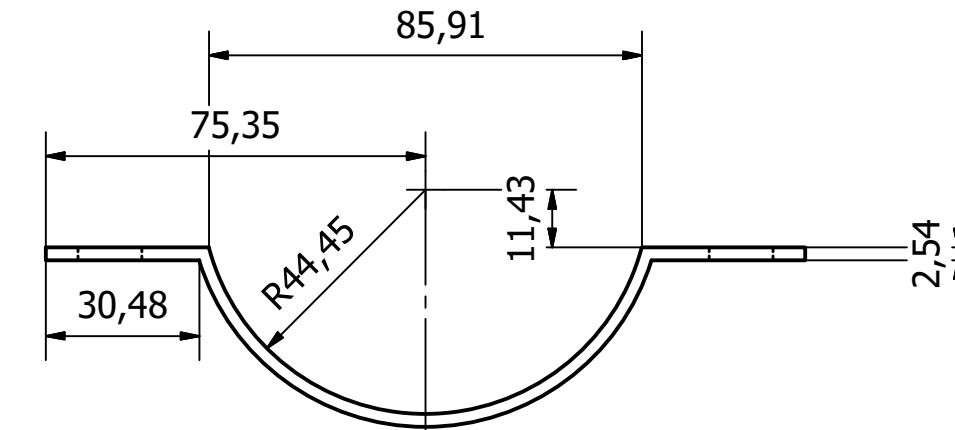
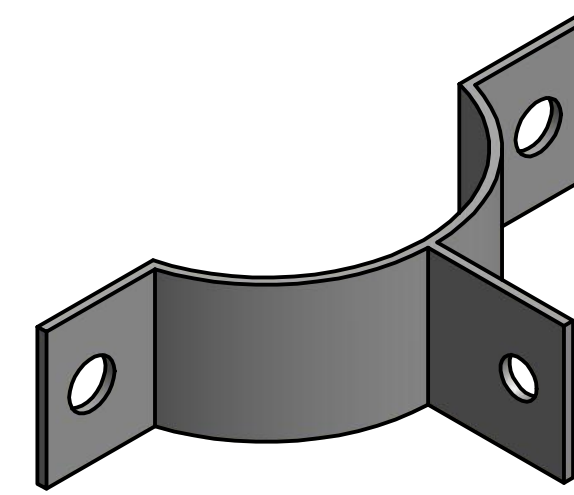
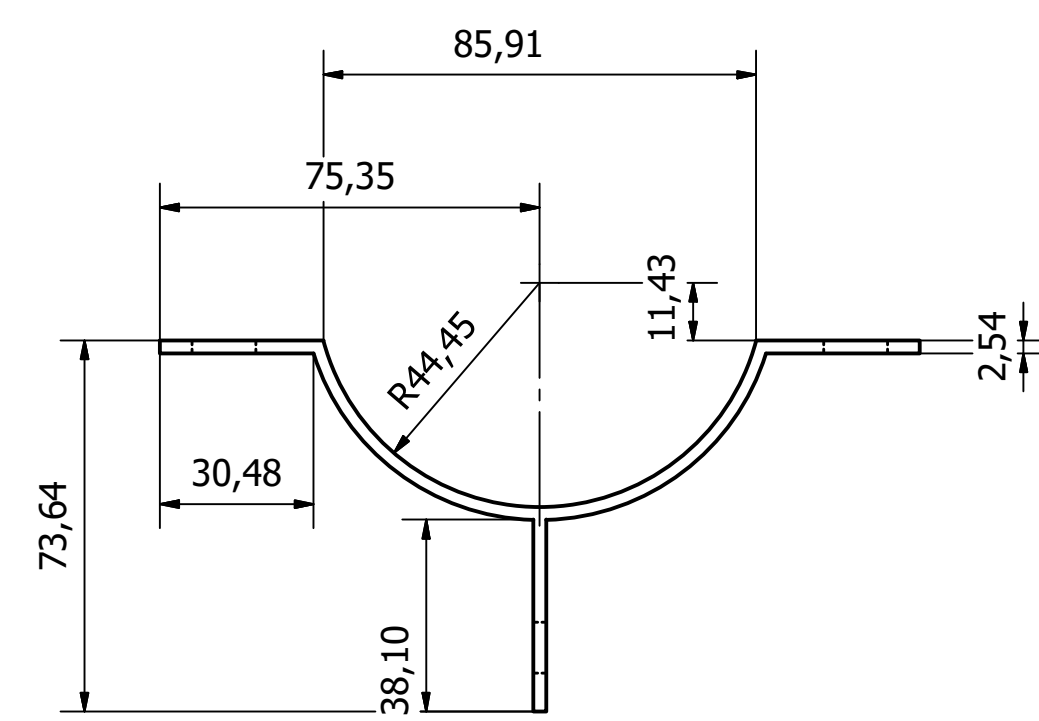
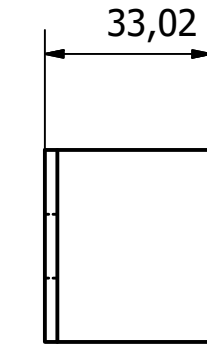
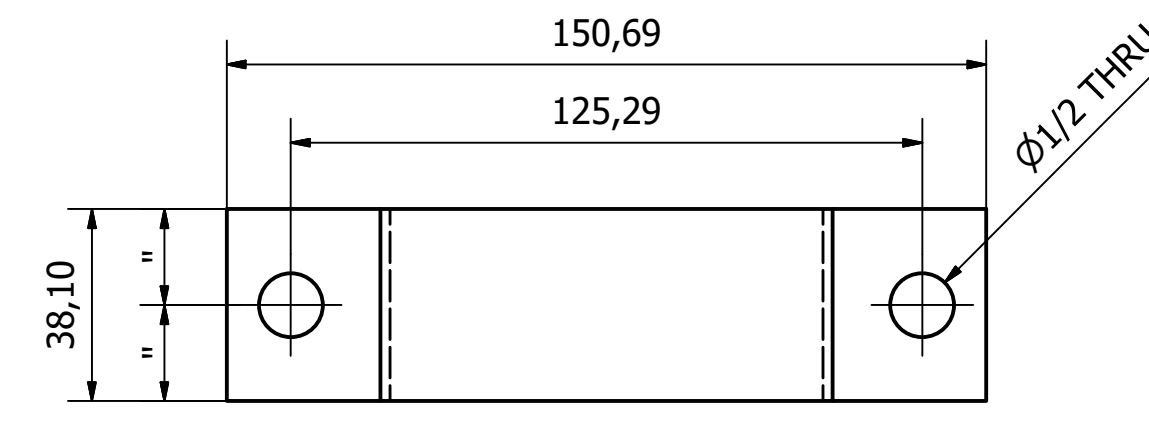
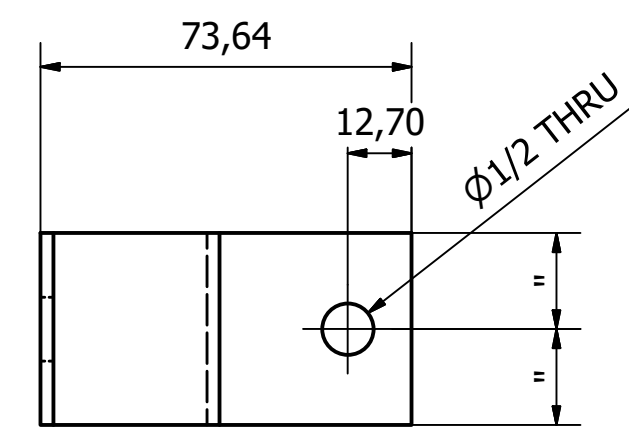
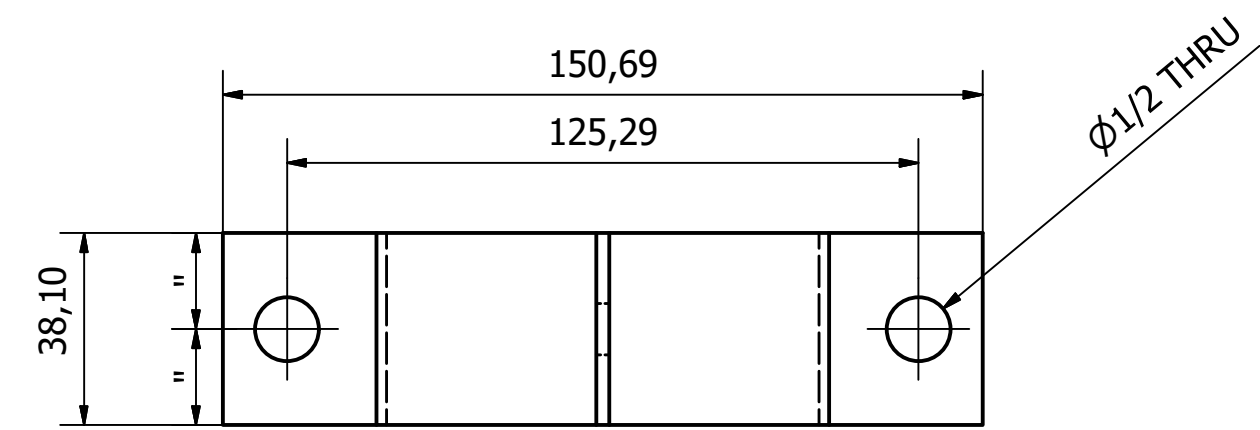
**Brace**  
SCALE : ( 1 : 2 )

**Note:** All Dimensions are in mm. unless specified.

THE DESIGNS AND OTHER INFORMATION CONTAINED IN THIS DRAWING ARE PROPERTY OF **DOST-ASTI** EXCEPT FOR RIGHTS EXPRESSLY GRANTED BY CONTRACT. THE DRAWING MAY NOT BE, IN WHOLE OR IN PART, BE DUPLICATED OR USED WITHOUT A WRITTEN PERMISSION FROM **DOST-ASTI**.

Drawn	Ian C. Mosquera	
Checked	Gerwin Guba	
Approved	ASTI	Date
		15 Nov 2012
Created	24 Oct 2017	Modified
		10:41 AM 10 24 2017


 Department of Science and Technology <b>Advanced Science and Technology Institute</b>		
Drawing Title:		
Sub Component:		Sheet
Part Number:		2 / 3
ENGR DRW - Fabrication - Cross arm 10242017		Rev
Project:		PR Reference No



**Brace Clamp**  
SCALE : ( 1 :1.5 )

**Brace Clamp Mate**  
SCALE : ( 1 :1.5 )

**Note:** All Dimensions are in mm. unless specified.

<p>THE DESIGNS AND OTHER INFORMATION CONTAINED IN THIS DRAWING ARE PROPERTY OF <b>DOST-ASTI</b> EXCEPT FOR RIGHTS EXPRESSLY GRANTED BY CONTRACT. THE DRAWING MAY NOT BE, IN WHOLE OR IN PART, BE DUPLICATED OR USED WITHOUT A WRITTEN PERMISSION FROM <b>DOST-ASTI</b>.</p>	Drawn	Ian C. Mosquera	 Department of Science and Technology <b>Advanced Science and Technology Institute</b>	Drawing Title:  	
	Checked	Gerwin Guba			
	Approved	ASTI	Date	15 Nov 2012	
	Created			Modified	Project:
	24 Oct 2017			10:41 AM 10 24 2017	PR Reference No